



SWEEPER DEMO FOR SALE

CHASSIS INFO

2017 Freightliner M2
Cummins Engine/
Allison Automatic Transmission
~7,200 miles

SWEEPER INFO

2017 Johnston E351-D Mechanical Sweeper
Dual Sweep
~150 hours
Full Factory Warranty on sweeper components



Interested? Contact: sales@truckequipmentinc.com | (515) 266-5189 | www.truckequipmentinc.com
1560 NE 44th Ave. | Des Moines, IA 50313

Specification Sheet

ES351 SWEEPER

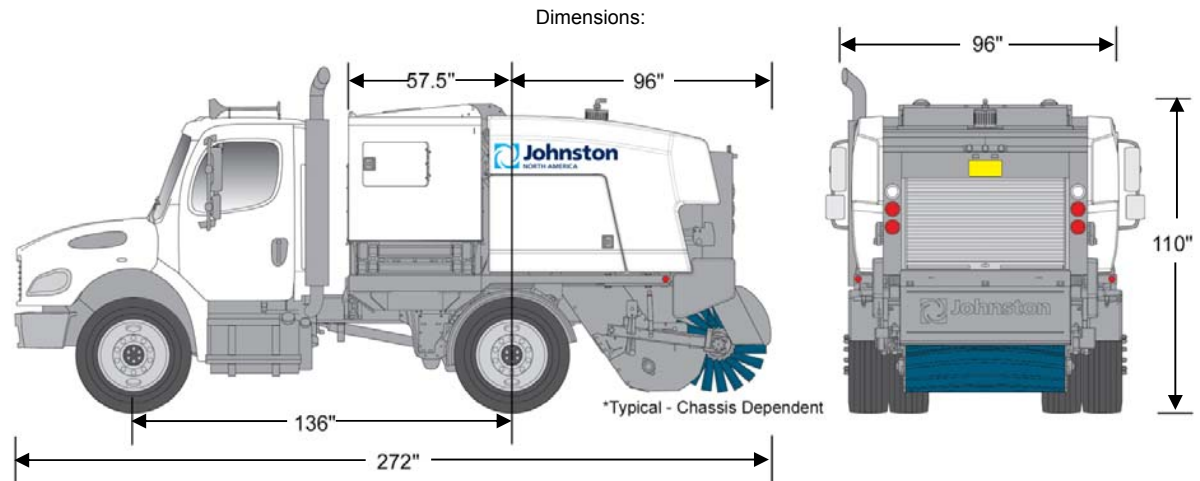
Series ES351 Mechanical Sweeper

Sheet 1 of 1

Issue Number: 01-14

Subject Technical Information and Data

Date: 03.03.15



Data and Performance Information

Capacities	
Hopper voided volume	4.5yd ³ nominal
Payload capacity	12,000lb. *Chassis Dependent
Fuel tank	50 Gallon
Water tank	360 Gallon
Tank Construction	Polyethylene

Sweeping Equipment	
Side Broom	44 Inch - Leading Arm/Digger Type
Main Broom	34.5 X 58 Inch
Drives	Direct Coupled Hydraulic Motor
Side Brooms	Un-handed Design - 44" dia.
Speed Adjustment	Variable Hydraulic, In-cab
Digging Pressure	Variable Pneumatic, In-cab

Engine Data	
Model	Cummins 6.7 – 260 H.P.
Cubic capacity	8.3 litres
No. of cylinders	Six
Gross rated power	260 H.P. @ 2300 rpm
Maximum torque	660 lb. ft. @ 1600 rpm
Aspiration	Turbo Charged
Operational rpm	Variable between 1200-2000rpm
Transmission	Allison 3500 RDS
Alternator	160 Amp
Electrical System	12 Volt Negative Ground System
Battery	(2) Group 31, 2250 CCA
Two Speed Rear	Ratio: 6.17/8.42

General Data	
Chassis requirement	33,000 GVW - Class 7
Wheelbase	136 inch *Chassis Dependent
Dump height	12.5 Feet *Chassis Dependent
Dump angle	54° Degrees
Sweep Path, Main Broom	58 Inch
Sweep Path MB & (1) SB	90 Inch
Sweep Path MB & (2) SB	120 Inch – Extended Reach 144"
Conveyor Type	Squeegee, 12 Flights
Conveyor Wear Plate Material	Nirosta® Stainless Steel
Drive	Hydraulic, Forward/Reverse
Lift Control	Hydraulic 2 stage scissors
Sweeping speeds	2-15 MPH *Chassis Dependent

Johnston North America Inc.

606 A&B Performance Road • Mooresville, NC 28115

Tel: 704.658.1333 Fax: 704.658.1377

E-mail: info@johnstonnorthamerica.com • johnstonnorthamerica.com



Due to continuous product development Johnston North America reserves the right to alter specifications without prior notice. Copyright© 2014 Johnston North America Inc.

ES351SPEC-030515